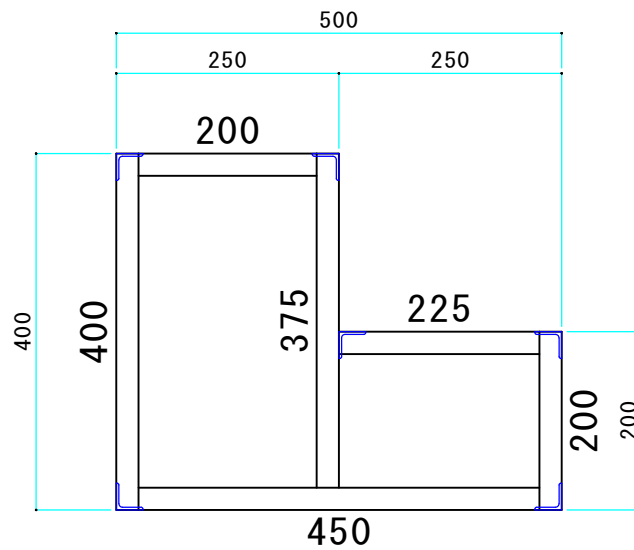


**L-3x30x30**  
**L=520x6本**



**□-40x25x1.6**  
**L=450x2本**  
**L=400x2本**  
**L=375x2本**  
**L=225x2本**  
**L=200x4本**